

Fixed–mobile convergence

Functional convergence

Advanced interface selection and route control

<i>Dirk Breuer</i>	<i>Deutsche Telekom Laboratories, Germany</i>
<i>Tibor Cinkler</i>	<i>Budapest University of Technology and Economics, Hungary</i>
<i>Stéphane Gosselin</i>	<i>Orange R&D, France</i>
<i>Annie Gravey</i>	<i>Telecom Bretagne, France</i>
<i>Ali Hamidian</i>	<i>Ericsson Research, Sweden</i>
<i>Stefan Höst</i>	<i>Lund University, Sweden</i>
<i>Tahar Mamouni</i>	<i>Orange R&D, France</i>
<i>Péter Olaszi</i>	<i>AITIA International, Inc., Hungary</i>
<i>Stephan Pachnicke</i>	<i>ADVA Optical Networking SE, Germany</i>
<i>Björn Skubic</i>	<i>Ericsson Research, Sweden</i>
<i>Jose Torrijos Gijón</i>	<i>Telefónica Investigación y Desarrollo, Spain</i>

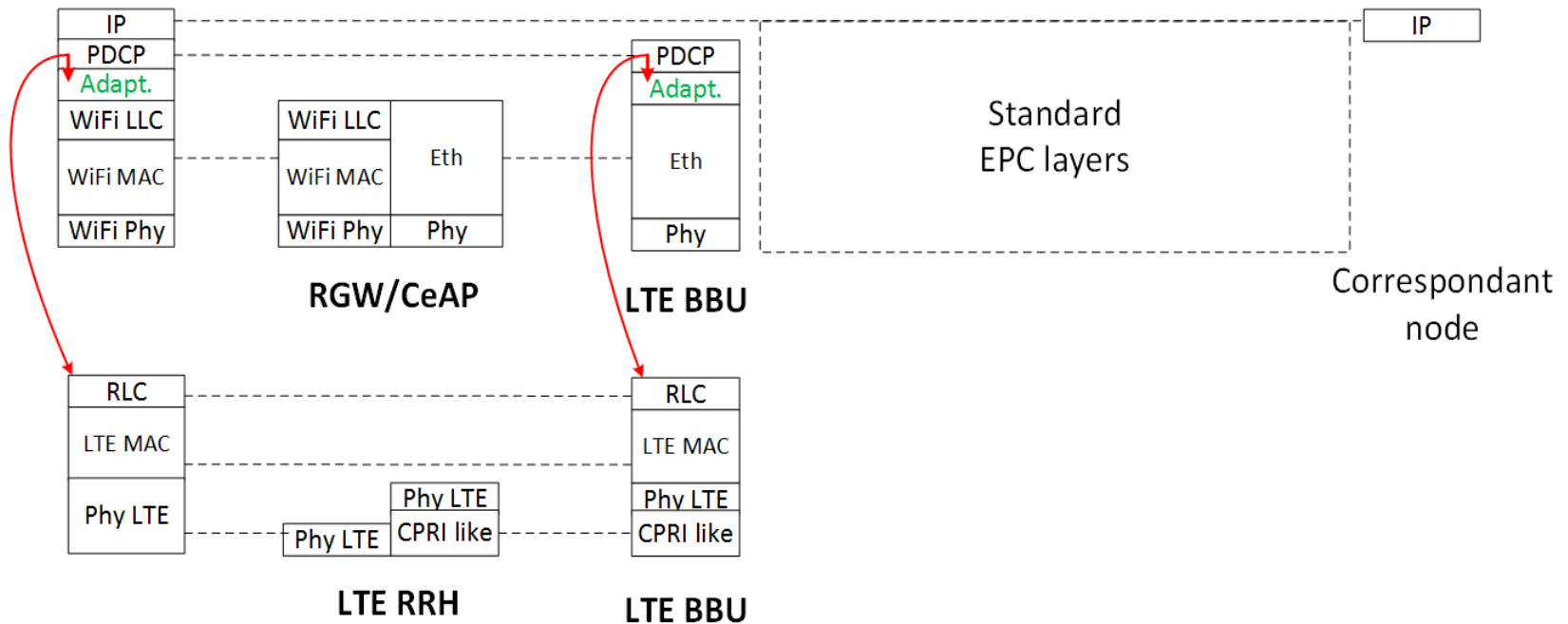
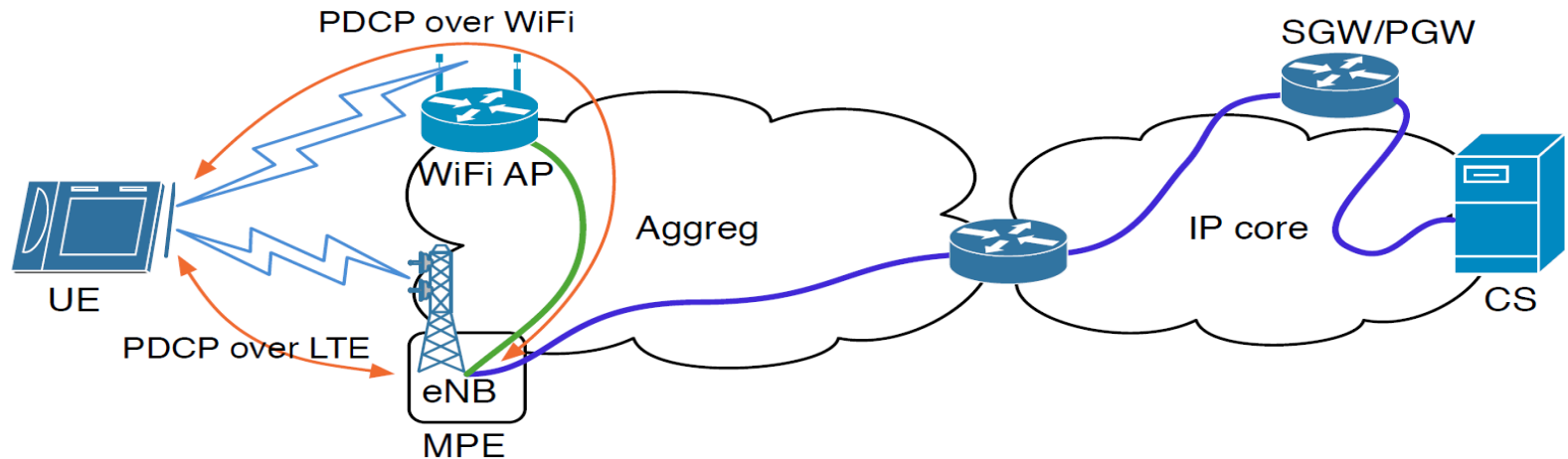
This ongoing work receives funding from the European Union's Seventh Framework Programme (FP7/2007-2013) under grant agreement n° 317762 "COMBO project"

Path Coordination and Control

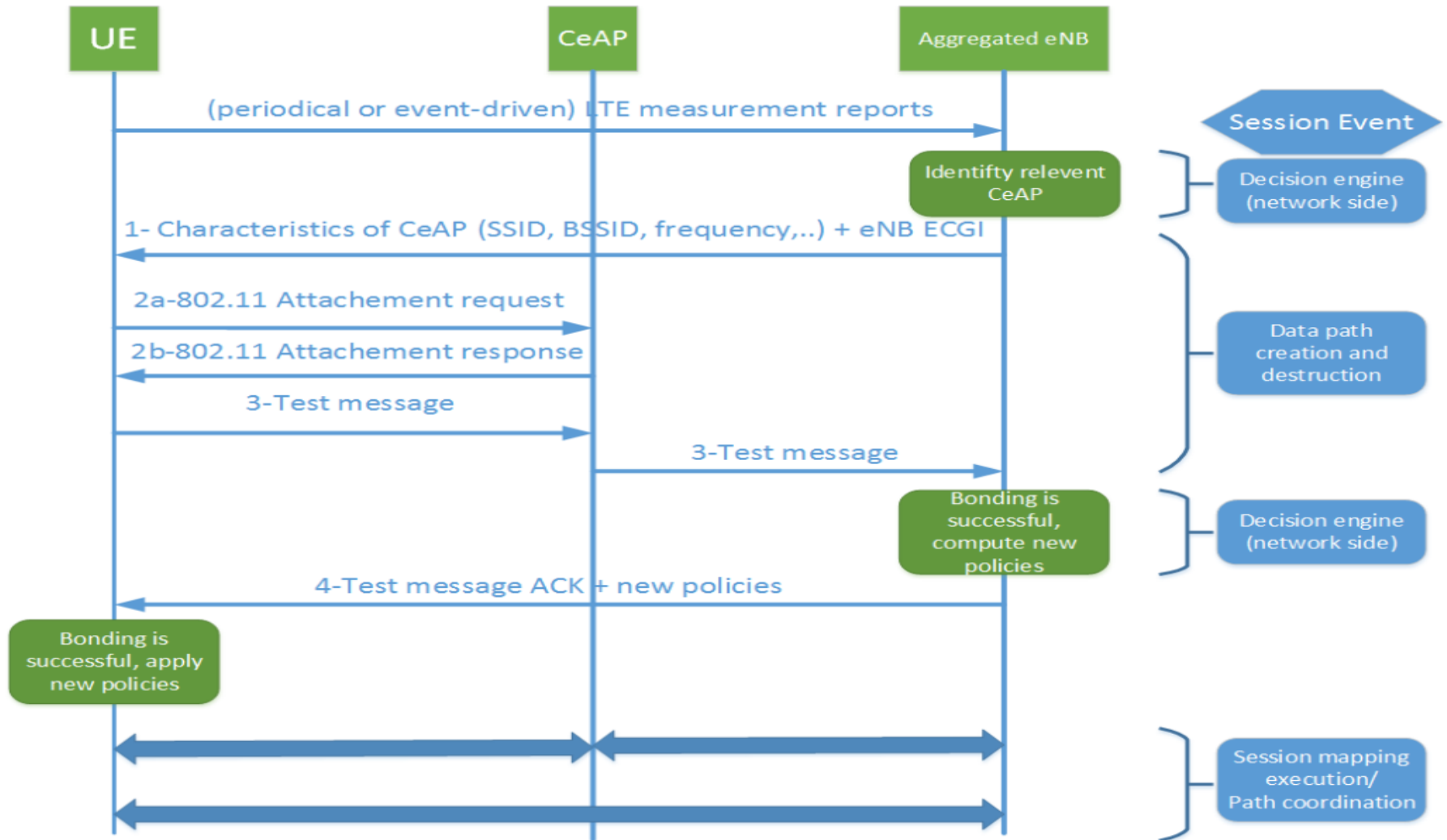
Implement an MPE function within the network
Multiple options!

MPE = below layer 3 => very tight coupling, one single TCP session
MPE = layer 3/4 => extend the SIPTO schemes
MPE = layer 4 => MP-TCP

RAN based process, single IP address, below L3: “Very tight coupling” between LTE and Wi-Fi



RAN based process: Very tight coupling



Presented by

Annie Gravey annie.gravey@telecom-bretagne.eu
Péter Olszi peter.olaszi@aitia.ai
Björn Skubic bjorn.skubic@ericsson.com

Dirk Breuer Deutsche Telekom Laboratories, Germany
Tibor Cinkler Budapest University of Technology and Economics, Hungary
Stéphane Gosselin Orange R&D, France
Annie Gravey Telecom Bretagne, France
Ali Hamidian Ericsson Research, Sweden
Stefan Höst Lund University, Sweden
Tahar Mamouni Orange R&D, France
Péter Olszi AITIA International, Inc., Hungary
Stephan Pachnicke ADVA Optical Networking SE, Germany
Björn Skubic Ericsson Research, Sweden
Jose Torrijos Gijón Telefónica Investigación y Desarrollo, Spain

This ongoing work receives funding from the European Union's Seventh Framework Programme (FP7/2007-2013) under grant agreement n° 317762 "COMBO project"