

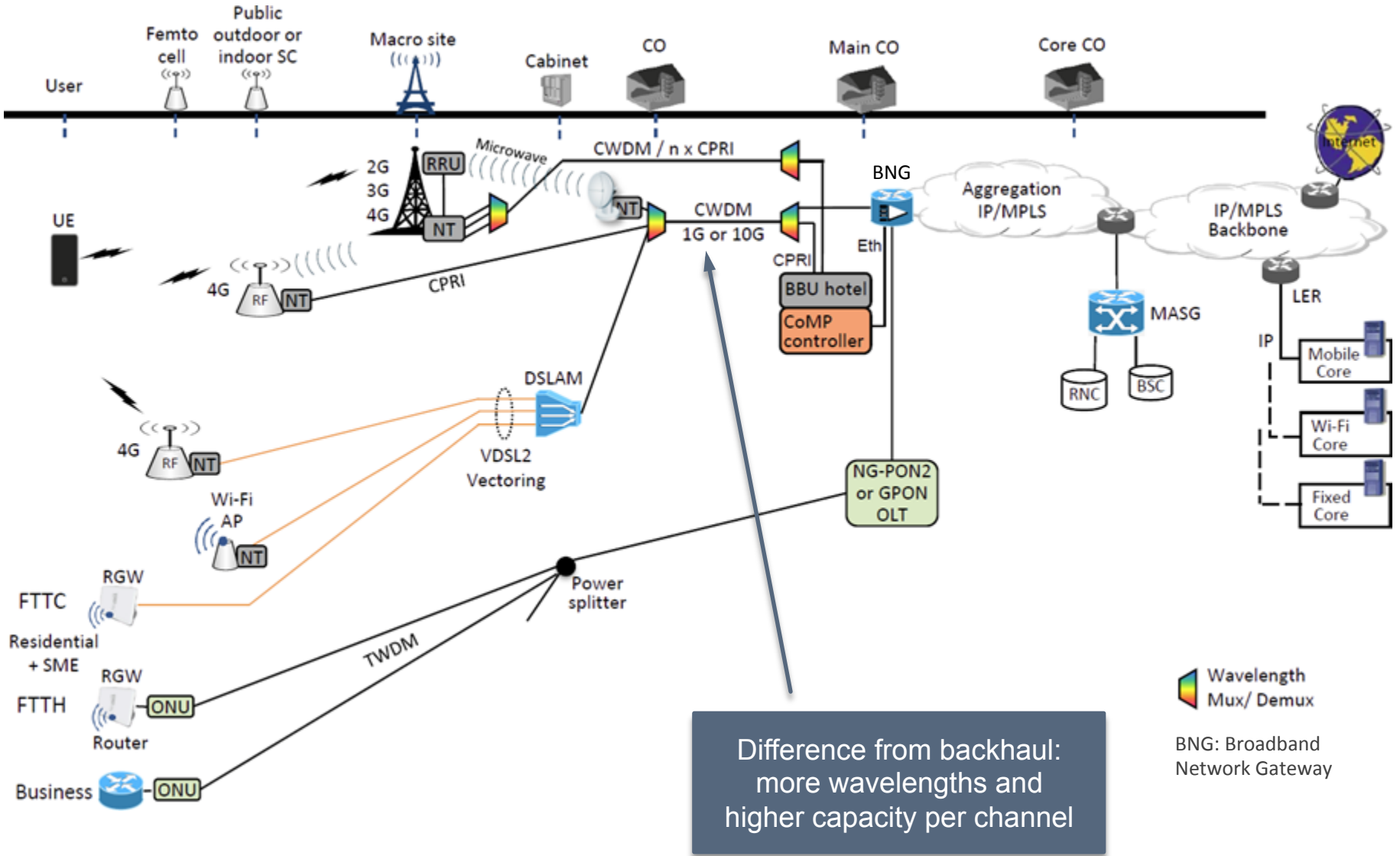
# *Fixed–mobile Convergence: Structural convergence*

## *Fronthaul*

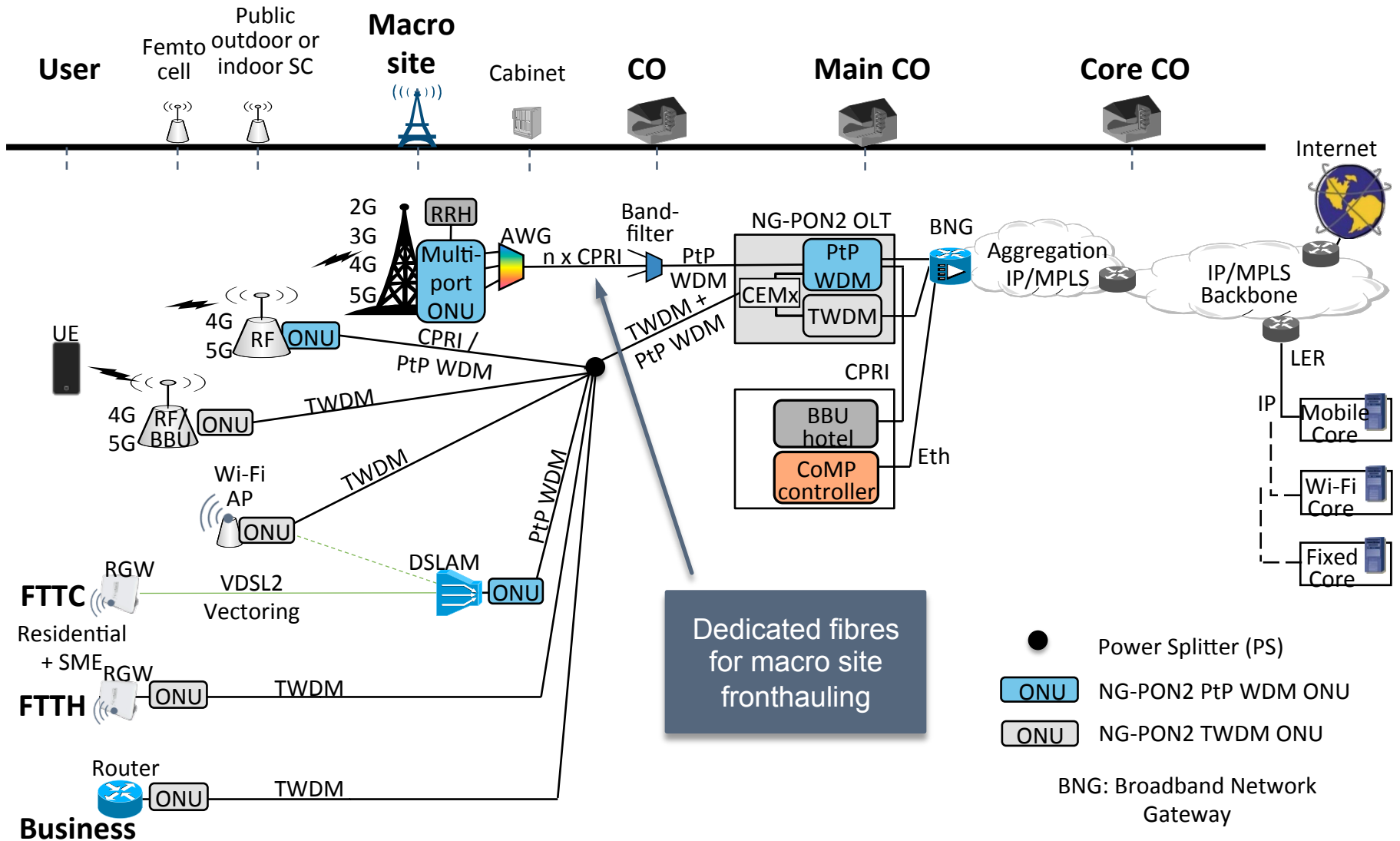
<i>Dirk Breuer</i>	<i>Deutsche Telekom Laboratories, Germany</i>
<i>Tibor Cinkler</i>	<i>Budapest University of Technology and Economics, Hungary</i>
<i>Stéphane Gosselin</i>	<i>Orange R&amp;D, France</i>
<i>Annie Gravey</i>	<i>Telecom Bretagne, France</i>
<i>Ali Hamidian</i>	<i>Ericsson Research, Sweden</i>
<i>Stefan Höst</i>	<i>Lund University, Sweden</i>
<i>Tahar Mamouni</i>	<i>Orange R&amp;D, France</i>
<i>Péter Olaszi</i>	<i>AITIA International, Inc., Hungary</i>
<i>Stephan Pachnicke</i>	<i>ADVA Optical Networking SE, Germany</i>
<i>Björn Skubic</i>	<i>Ericsson Research, Sweden</i>
<i>Jose Torrijos Gijón</i>	<i>Telefónica Investigación y Desarrollo, Spain</i>
<i>Erik Weis, Frank Geilhardt, Thomas Monath, Sandro Krauß</i>	<i>Deutsche Telekom Laboratories, Germany</i>

*This ongoing work receives funding from the European Union's Seventh Framework Programme (FP7/2007-2013) under grant agreement n° 317762 "COMBO project"*

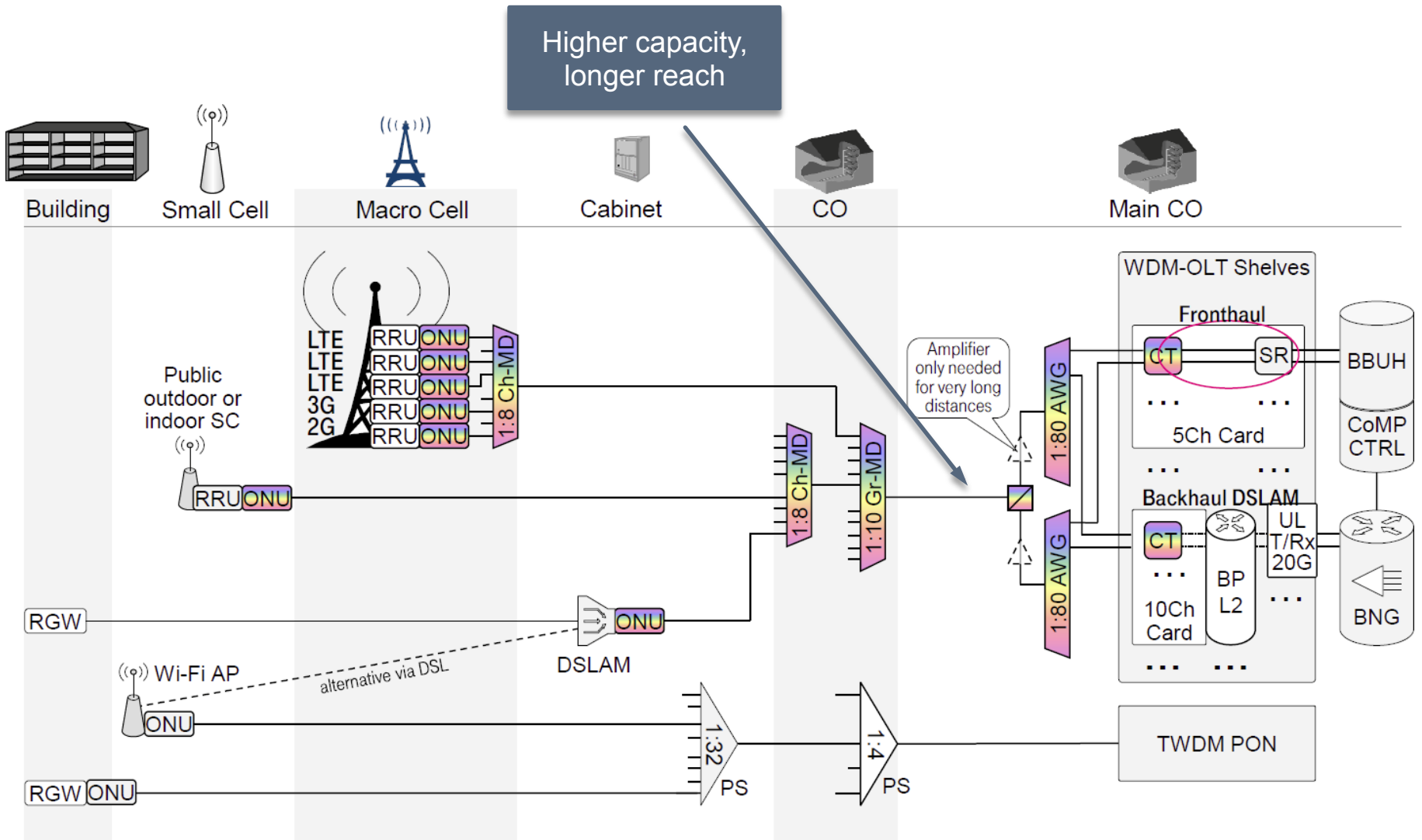
# Fronthaul: Baseline network architecture 2020



# Fronthaul option: NG-PON2 with PtP WDM



# Fronthaul option: NG-PON2 with WR WDM-PON



## *Presented by*

*Annie Gravey      annie.gravey@telecom-bretagne.eu*  
*Péter Olaszi      peter.olaszi@aitia.ai*  
*Björn Skubic      bjorn.skubic@ericsson.com*

*Dirk Breuer      Deutsche Telekom Laboratories, Germany*  
*Tibor Cinkler      Budapest University of Technology and Economics, Hungary*  
*Stéphane Gosselin      Orange R&D, France*  
*Annie Gravey      Telecom Bretagne, France*  
*Ali Hamidian      Ericsson Research, Sweden*  
*Stefan Höst      Lund University, Sweden*  
*Tahar Mamouni      Orange R&D, France*  
*Péter Olaszi      AITIA International, Inc., Hungary*  
*Stephan Pachnicke      ADVA Optical Networking SE, Germany*  
*Björn Skubic      Ericsson Research, Sweden*  
*Jose Torrijos Gijón      Telefónica Investigación y Desarrollo, Spain*

*This ongoing work receives funding from the European Union's Seventh Framework Programme (FP7/2007-2013) under grant agreement n° 317762 "COMBO project"*